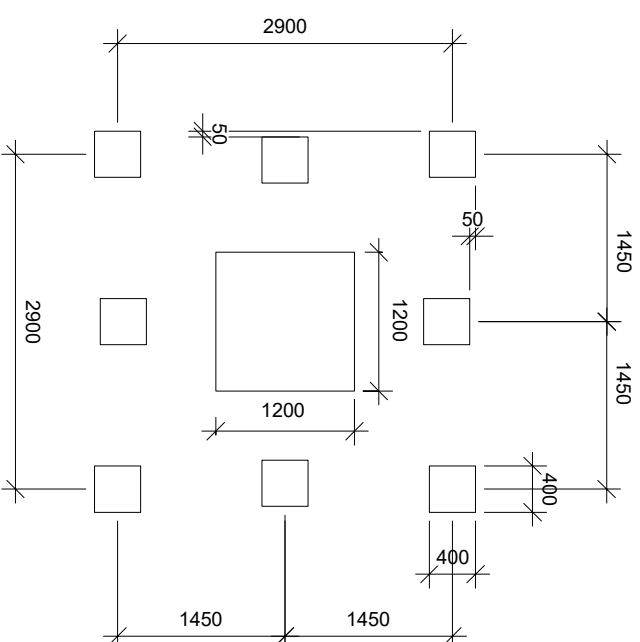
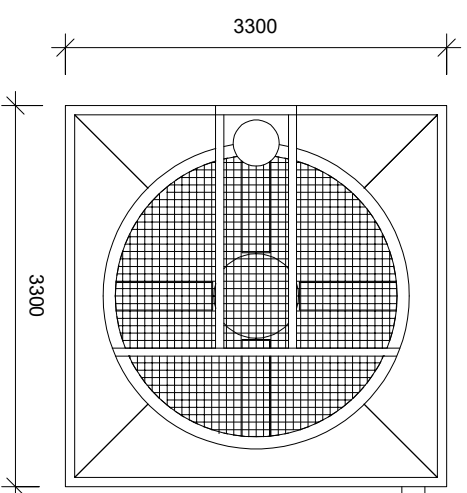
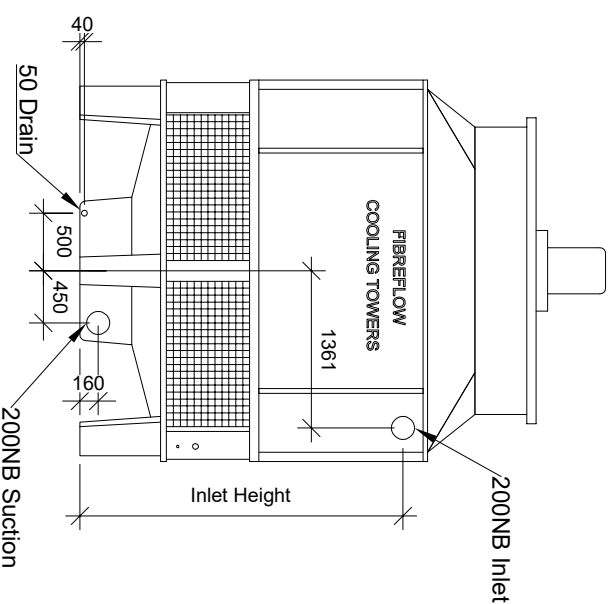
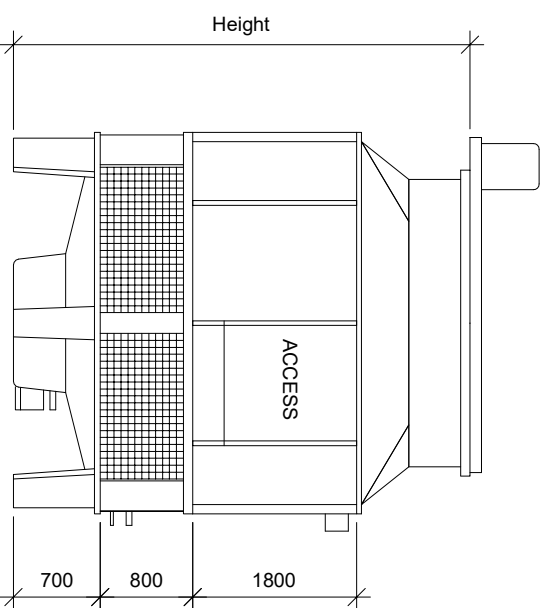


# FIBREFLOW COOLING TOWERS

## FIBREGLASS COUNTERFLOW UNIT DIMENSIONS



- NOTES:**
1. Minimum plinth height 300mm.
  2. Pipework not to be supported from unit or connections.
  3. Ductwork not to be supported from unit.
  4. Dimension in millimeters, weights in kilograms.
  5. Keep area above fan discharge clear.
  6. Not for production. Refer factory for certified dimensions.
  7. Minimum pressure at inlet connection 25 kPa.
  8. Maximum pressure at makeup water connection 200kPa.
  9. Inlet and outlet connections are PVC stubs supplied over length to be cut to suit on site.
  10. Do not use dimensions for prefabrication of pipework. These may vary due to manufacturing tolerances.



mm

Model Number	Height mm	Inlet Height mm	Fan Diameter mm	Shipping Weight kg	Operating Weight kg	Motor Size kW	Motor Amps	Airflow m <sup>3</sup> /s
<b>CTCF 104A</b>	4280	3030	2440	2000	5000	5.5	11.5	25.02
<b>CTCF 116A</b>	4280	3030	2440	2140	5363	7.5	15.2	27.61
<b>CTCF 132A</b>	4280	3030	2440	2313	5726	11	21.4	31.12
<b>CTCF 154A</b>	4280	3030	2440	2456	6273	15	28.9	31.92