



MEMBER

This drawing is the property of Fibreflow Cooling Towers. All right reserved

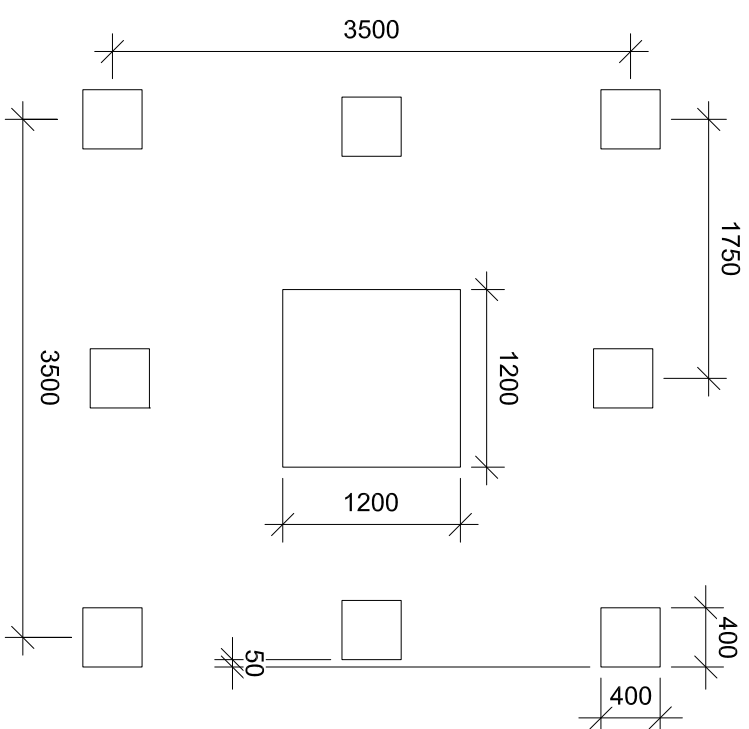
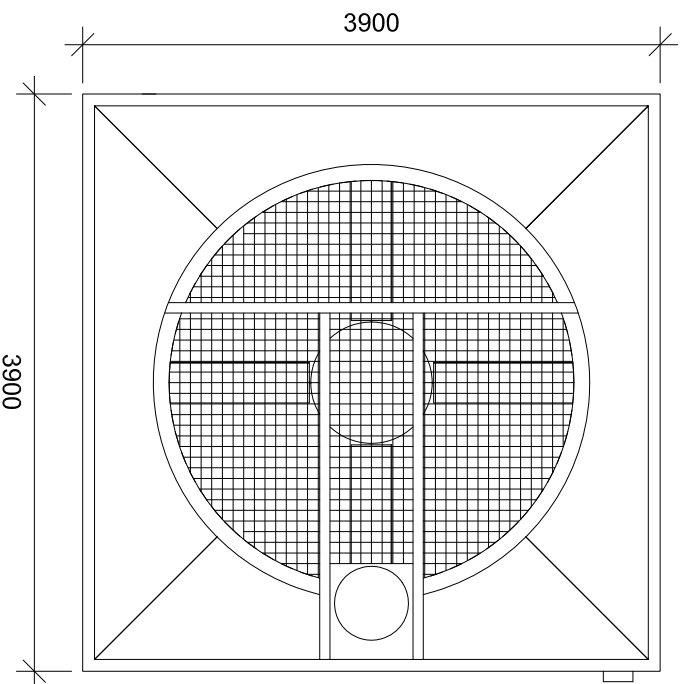
CTCF-12x12

DRAWING NUMBER

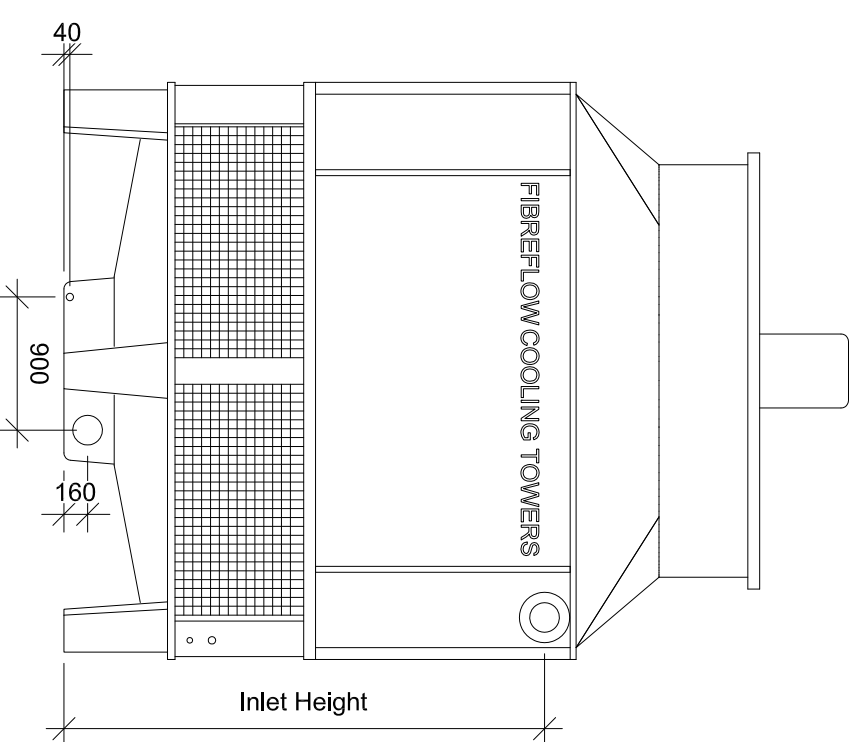
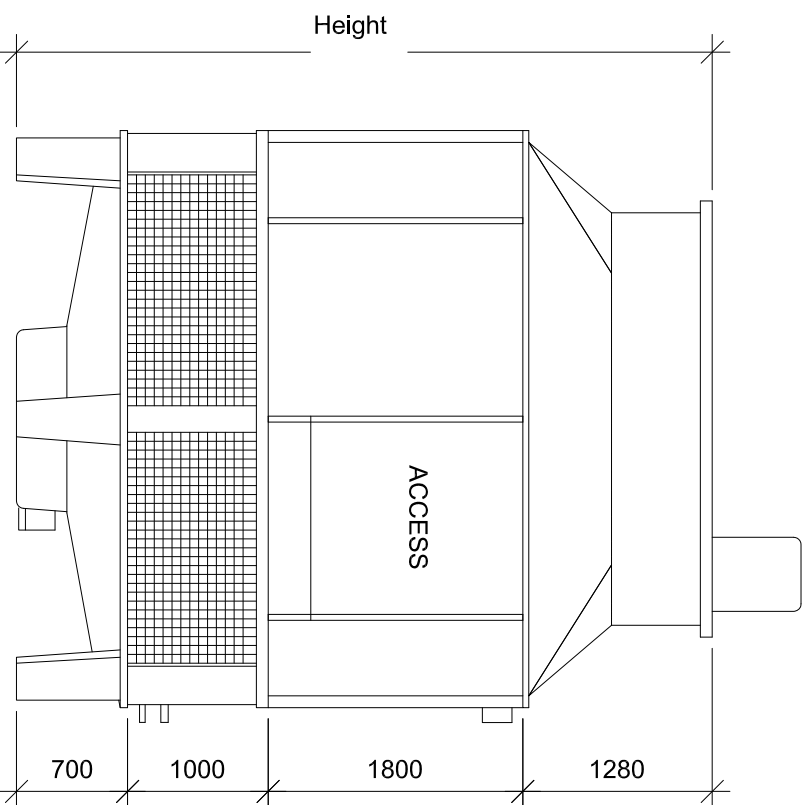
D

FIBREFLOW COOLING TOWERS

FIBREGLASS COUNTERFLOW UNIT DIMENSIONS



- NOTES:**
1. Minimum plinth height 300mm.
 2. Pipework not to be supported from unit or connections.
 3. Ductwork not to be supported from unit.
 4. Dimension in millimeters, weights in kilograms.
 5. Keep area above fan discharge clear.
 6. Not for production. Refer factory for certified dimensions.
 7. Minimum pressure at inlet connection 25 kPa.
 8. Maximum pressure at makeup water connection 200kPa.



Model Number	Height mm	Inlet Height mm	Fan Diameter mm	Shipping Weight ke	Operating Weight ke	Motor Size kW	Motor Amps	Airflow m ³ /s
CTCF 169A	4780	3240	2733	2600	6300	7.5	15.2	36.21
CTCF 173A	4780	3240	2733	2830	6822	11	21.5	40.87
CTCF 182A	4780	3240	2733	3013	7610	11	21.5	38.06
CTCF 192A	4780	3240	2733	3212	8129	15	27	45.01
CTCF 201A	4780	3240	2733	3396	8916	15	27	41.91
CTCF 205A	4780	3240	2733	3614	9700	18.5	35.5	47.99
CTCF 215A	4780	3240	2733	3798	10484	18.5	35.5	44.68
CTCF 218A	4780	3240	2733	4002	11268	22	40.2	50.57
CTCF 227A	4780	3240	2733	4185	12317	22	40.2	47.08