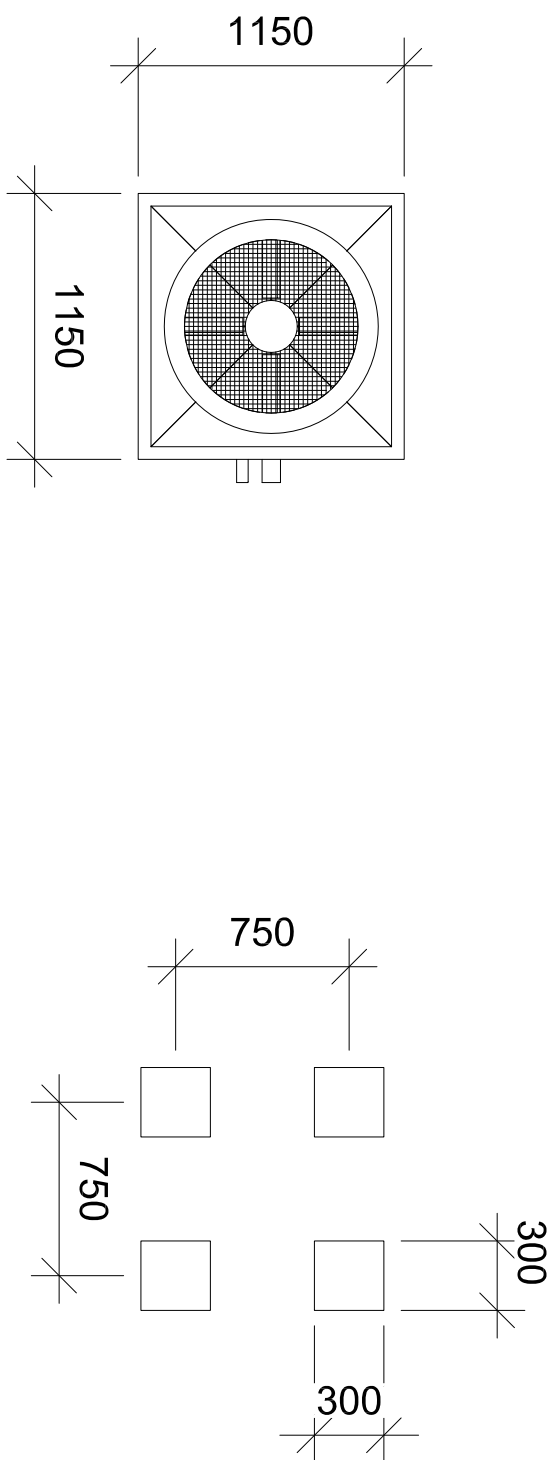
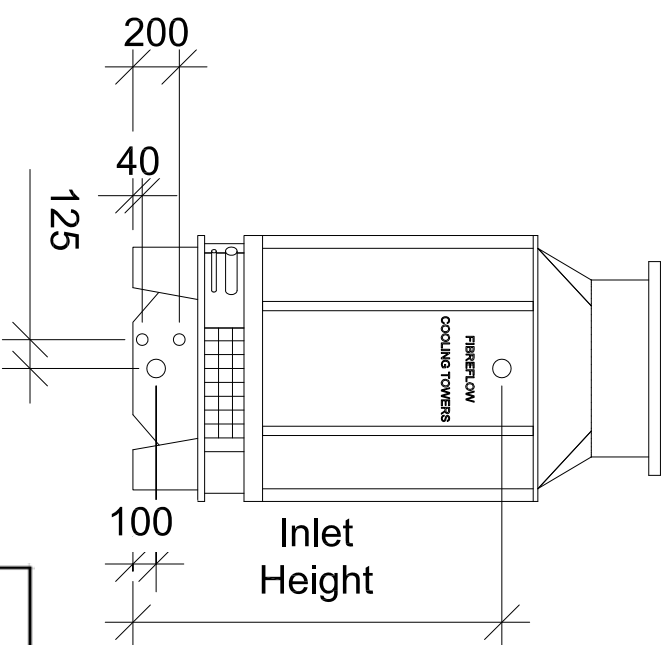
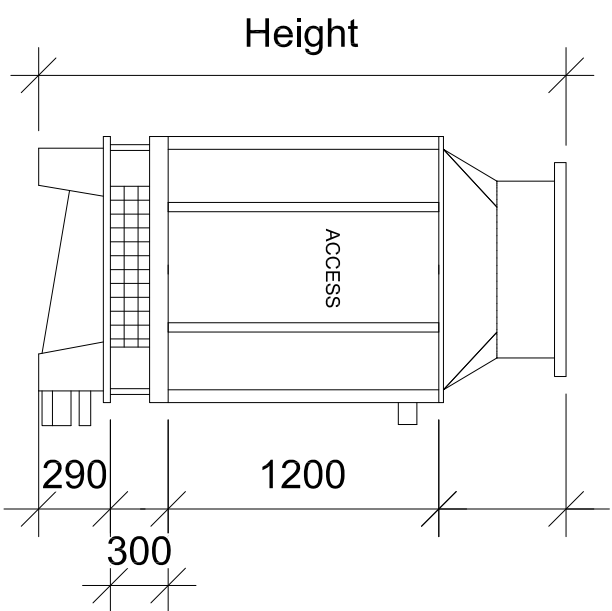


FIBREGLASS COUNTERFLOW COOLING TOWERS

FIBREGLASS COUNTERFLOW UNIT DIMENSIONS



- NOTES:**
1. Minimum plinth height 300mm.
 2. Pipework not to be supported from unit or connections.
 3. Ductwork not to be supported from unit.
 4. Dimension in millimeters, weights in kilograms.
 5. Keep area above fan discharge clear.
 6. Not for production. Refer factory for certified dimensions.
 7. Minimum pressure at inlet connection 25 kPa.
 8. Maximum pressure at makeup water connection 200kPa.



Model Number	Height mm	Inlet Height mm	Fan Diameter mm	Shipping Weight kg	Operating Weight kg	Motor Size kW	Motor Amps	Airflow m ³ /s
CTCF 005A	2000	1605	750	180	588	0.75	2.1	1.89
CTCF 008A	2000	1605	750	210	648	1.1	3.7	1.91
CTCF 010A	2000	1605	750	240	708	1.5	6.4	2.39