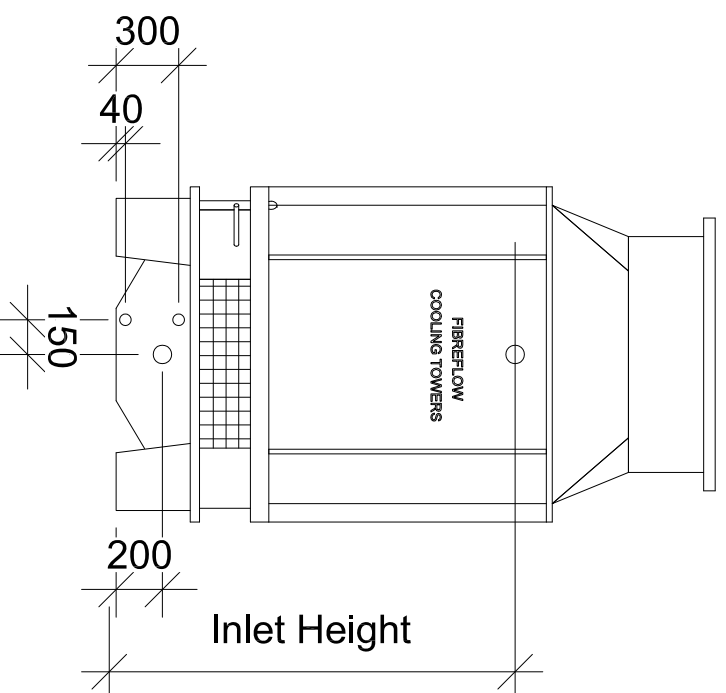
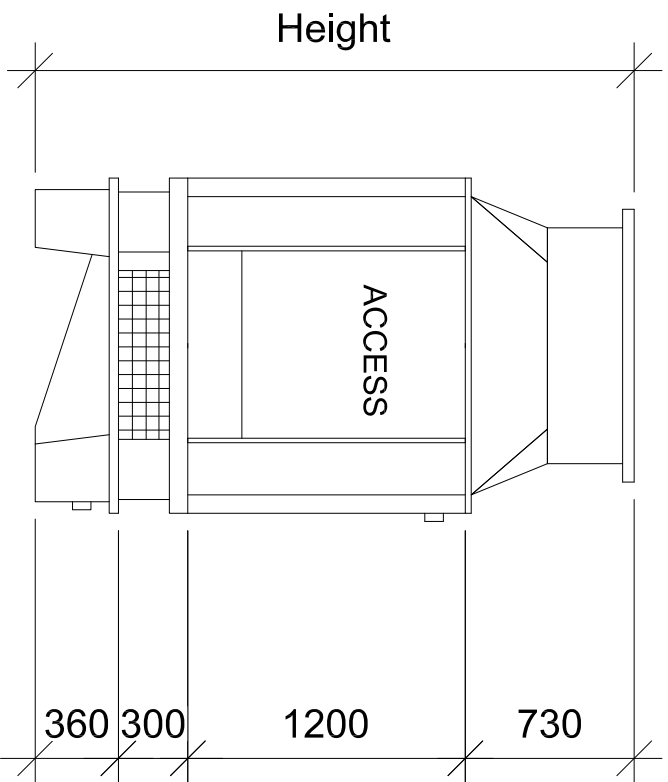
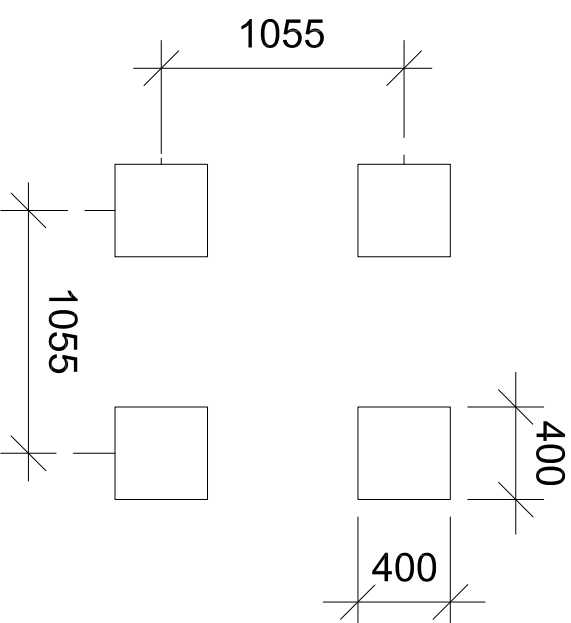
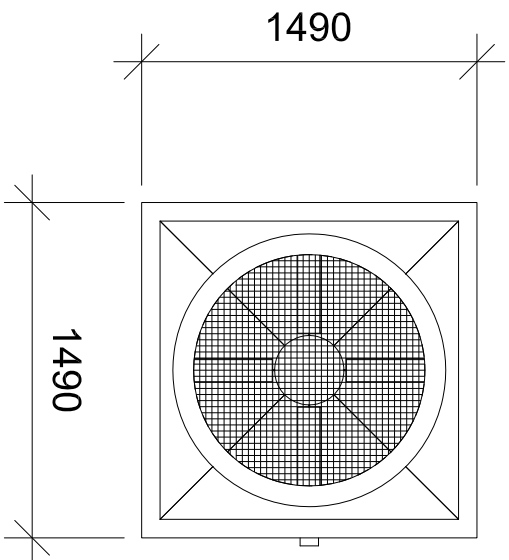


# FIBREFLOW COUNTERFLOW TOWERS

## FIBREGLASS COUNTERFLOW UNIT DIMENSIONS



- NOTES:**
1. Minimum plinth height 300mm.
  2. Pipework not to be supported from unit or connections.
  3. Ductwork not to be supported from unit.
  4. Dimension in millimeters, weights in kilograms.
  5. Keep area above fan discharge clear.
  6. Not for production. Refer factory for certified dimensions.
  7. Minimum pressure at inlet connection 25 kPa.
  8. Maximum pressure at makeup water connection 200kPa.

Model Number	Height mm	Inlet Height mm	Fan Diameter mm	Shipping Weight kg	Operating Weight kg	Motor Size kW	Motor Amps	Airflow m <sup>3</sup> /s
CTCF 015A	2590	1675	1000	300	980	1.1	2.8	3.5
CTCF 020A	2590	1675	1000	350	1080	1.5	3.7	4.2
CTCF 023A	2590	1675	1000	400	1180	2.2	5.1	4.9