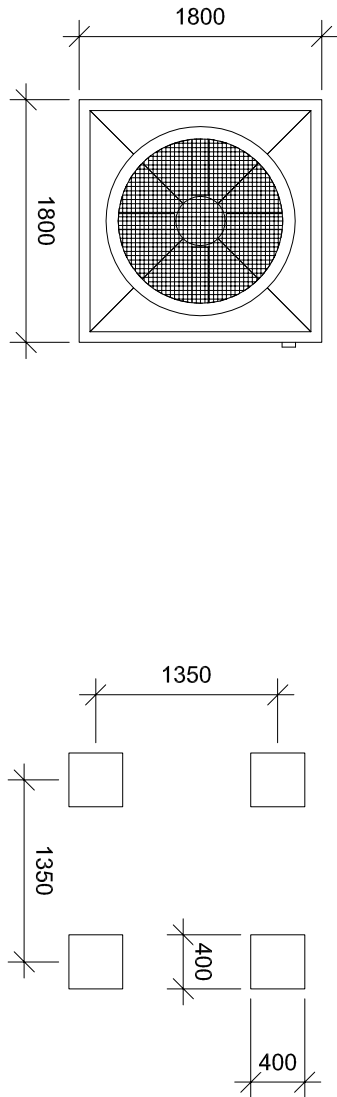
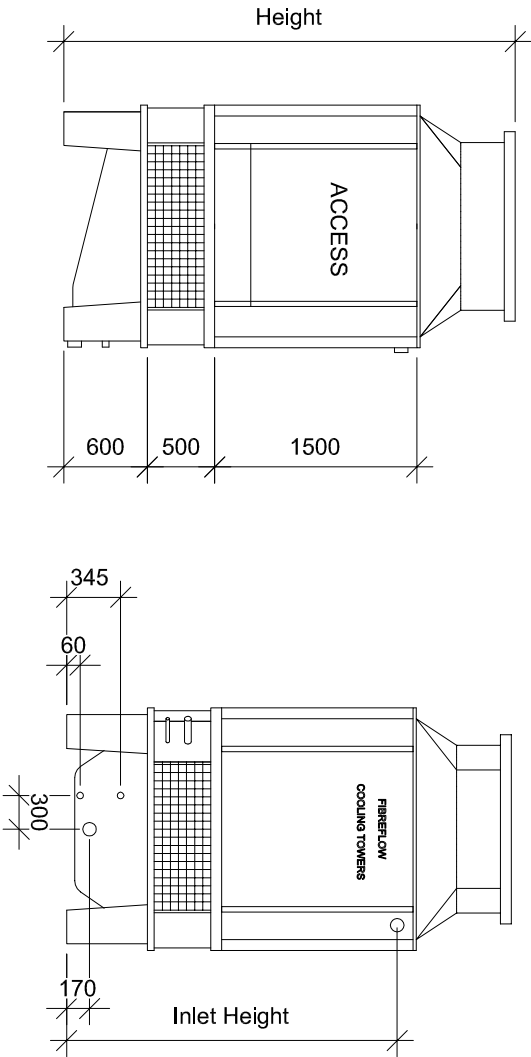


FIBREFLOW COOLING TOWERS

FIBREGLASS COUNTERFLOW UNIT DIMENSIONS



- NOTES:**
1. Minimum plinth height 300mm.
 2. Pipework not be supported from unit or connections.
 3. Ductwork not to be supported from unit.
 4. Dimension in millimeters, weights in kilograms.
 5. Keep area above fan discharge clear.
 6. Not for production. Refer factory for certified dimensions.
 7. Minimum pressure at inlet connection 25 kPa.
 8. Maximum pressure at makeup water connection 200kPa.



Model Number	Height mm	Inlet Height mm	Fan Diameter mm	Shipping Weight kg	Operating Weight kg	Motor Size kW	Motor Amps	Airflow m ³ /s
CTCF 025A	3300	2454	1220	550	1860	3	5.1	8.14
CTCF 038A	3300	2454	1220	569	1879	4	8.5	8.74
CTCF 042A	3300	2454	1220	626	1981	5.5	11	9.6
CTCF 043A	3300	2454	1220	594	1904	5.5	11	8.89