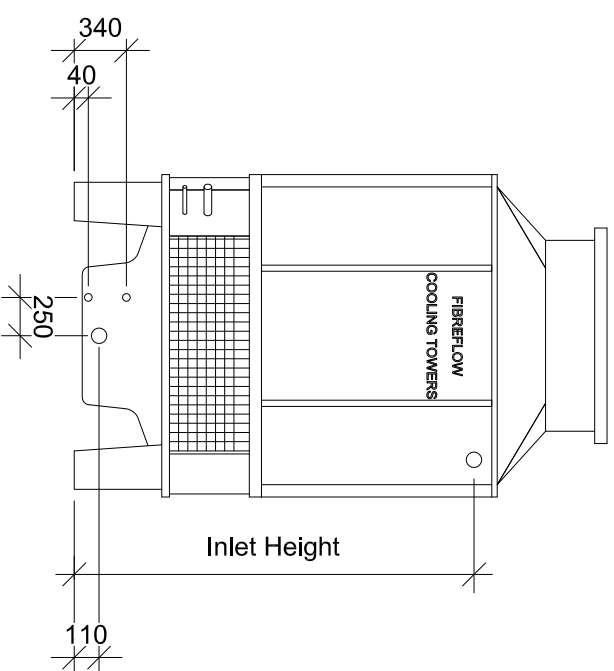
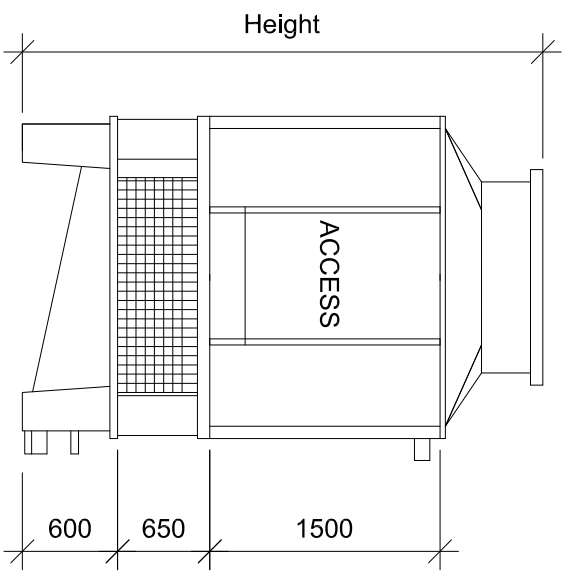
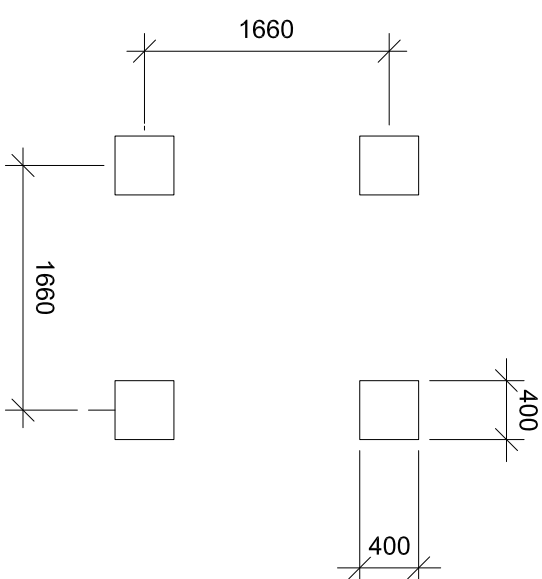
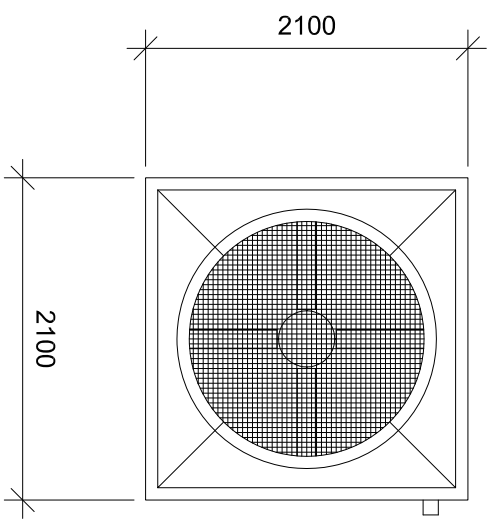


FIBREFLOW COOLING TOWERS

FIBREGLASS COUNTERFLOW UNIT DIMENSIONS



- NOTES:**
1. Minimum plinth height 300mm.
 2. Pipework not to be supported from unit or connections.
 3. Ductwork not to be supported from unit.
 4. Dimension in millimeters, weights in kilograms.
 5. Keep area above fan discharge clear.
 6. Not for production. Refer factory for certified dimensions.
 7. Minimum pressure at inlet connection 25 kPa.
 8. Maximum pressure at makeup water connection 200kPa.

Model Number	Height mm	Inlet Height mm	Fan Diameter mm	Shipping Weight kg	Operating Weight kg	Motor Size kW	Motor Amps	Airflow m ³ /s
CTCF 032A	3600	2554	1530	900	1980	3	5.1	10.59
CTCF 049A	3600	2554	1530	919	1999	4	8.5	11.47
CTCF 051A	3600	2554	1530	965	2110	5.5	8.5	10.66