

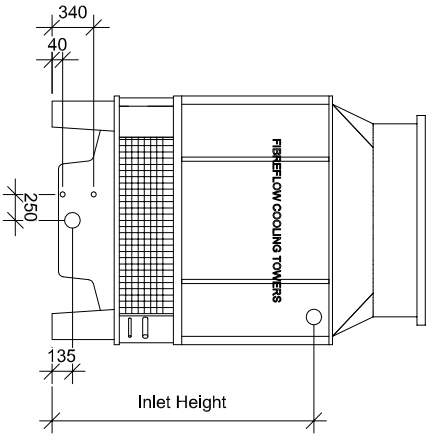
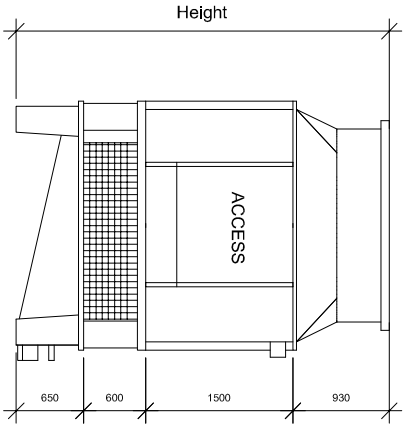
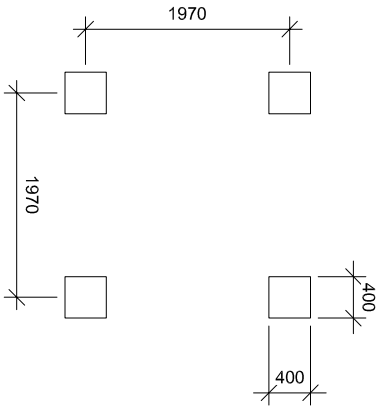
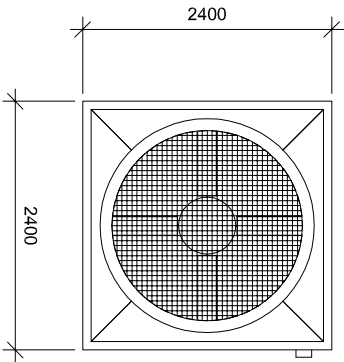
# FIBREFLOW COOLING TOWERS

## FIBREGLASS COUNTERFLOW UNIT DIMENSIONS

**CTCF-7x7**

DRAWING NUMBER

**E**



- NOTES:**
1. Minimum plinth height 300mm.
  2. Pipework not to be supported from unit or connections.
  3. Ductwork not to be supported from unit.
  4. Dimension in millimeters, weights in kilograms.
  5. Keep area above fan discharge clear.
  6. Not for production. Refer factory for certified dimensions.
  7. Minimum pressure at inlet connection 25 kPa.
  8. Maximum pressure at makeup water connection 200kPa.

| Model Number | Height mm | Inlet Height mm | Fan Diameter mm | Shipping Weight kg | Operating Weight kg | Motor Size kW | Motor Amps | Airflow m <sup>3</sup> /s |
|--------------|-----------|-----------------|-----------------|--------------------|---------------------|---------------|------------|---------------------------|
| CTCF 057A    | 3680      | 2525            | 1830            | 860                | 2700                | 3             | 7.5        | 13.7                      |
| CTCF 064A    | 3680      | 2525            | 1830            | 885                | 2725                | 4             | 10         | 15.2                      |
| CTCF 076A    | 3680      | 2525            | 1830            | 955                | 2883                | 5.5           | 13.5       | 15.6                      |
| CTCF 084A    | 3680      | 2525            | 1830            | 937                | 2777                | 7.5           | 17.1       | 17.5                      |