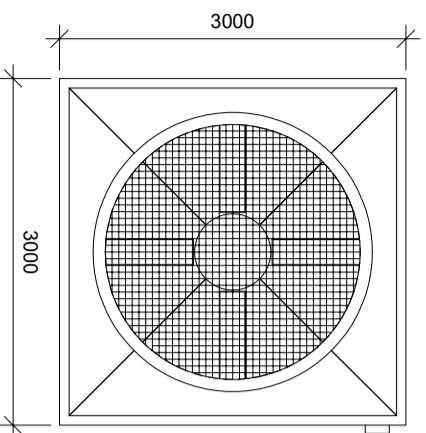
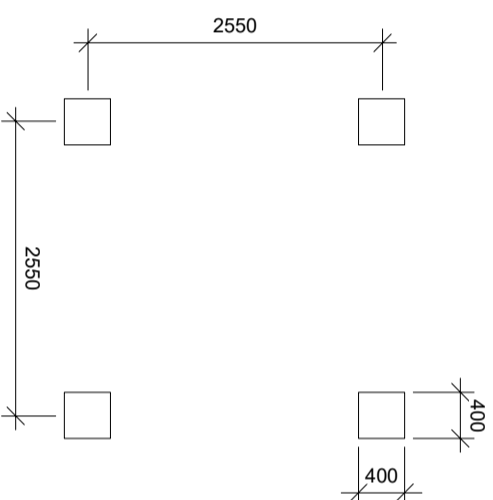


FIBREFLOW COOLING TOWERS

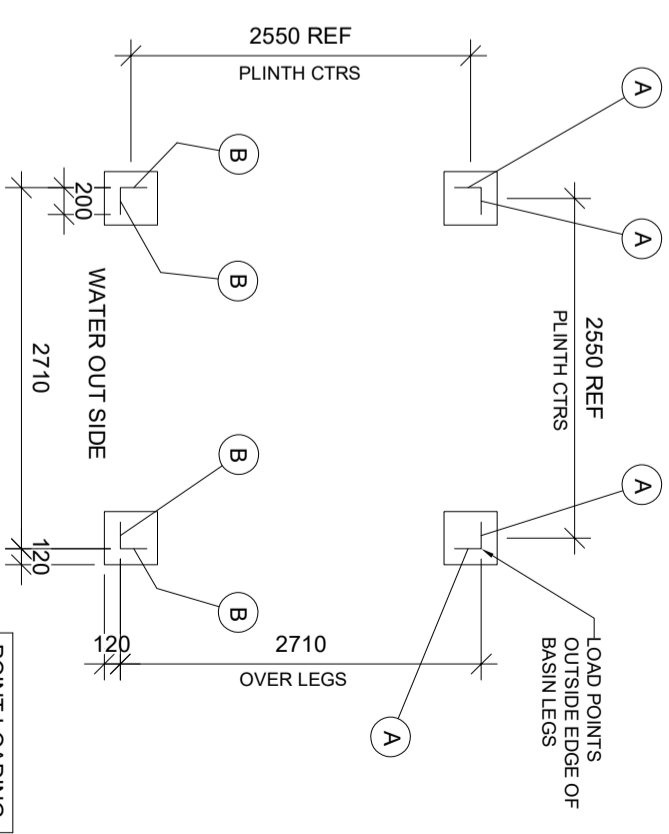
FIBREGLASS COUNTERFLOW UNIT DIMENSIONS



PLAN VIEW

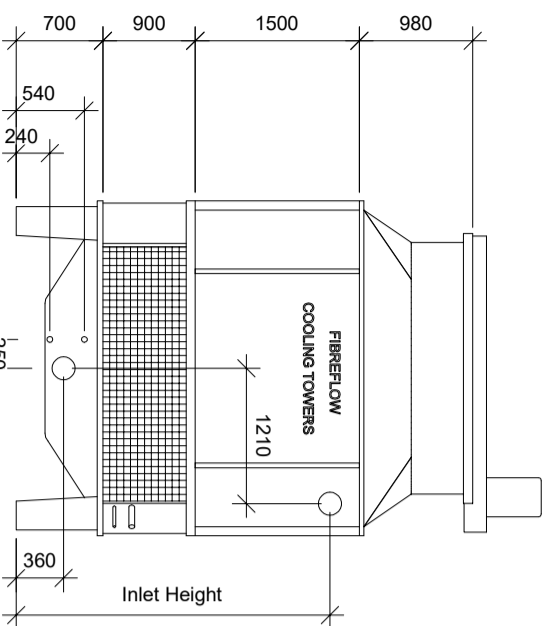


PLINTH LAYOUT



POINT LOADING	
POSITION	WEIGHT
A	500 kg
B	625 kg

PIER LOADING



FRONT VIEW

Refer unit handling for connection locations on specific project

- NOTES:**
1. Minimum plinth height 300mm.
 2. Pipework not to be supported from unit or connections.
 3. Ductwork not to be supported from unit.
 4. Dimension in millimeters, weights in kilograms.
 5. Keep area above fan discharge clear.
 6. Not for production. Refer factory for certified dimensions.
 7. Minimum pressure at inlet connection 25 kPa.
 8. Maximum pressure at makeup water connection 200kPa
 9. Inlet and outlet connections are PVC stubs supplied over length to be cut to suit on site.
 10. Do not use dimensions for prefabrication of pipework. These may vary due to manufacturing tolerances.

Connections
 Water In - 150NB PVC stub
 Water Out - 150NB PVC stub
 Drain - 50 PVC stub
 Overflow - 50 PVC stub

Model	Height mm	Inlet Height	Fan Dia mm	Shipping Weight kg	Operating Weight kg	Motor Size kW	Full Load Motor Amps	Airflow m ³ /sec
CTCF 088A	4080	2840	2133	1550	3800	4	7.5	21
CTCF 103A	4080	2840	2133	1650	3900	5.5	10	21.6
CTCF 112A	4080	2840	2133	1750	4150	7.5	13.5	25.8
CTCF 128A	4080	2840	2133	1850	4450	11	21.4	26.9

FOR APPROVAL